

mellerware®

Whooshy Wireless

Handy&Stick vacuum cleaner

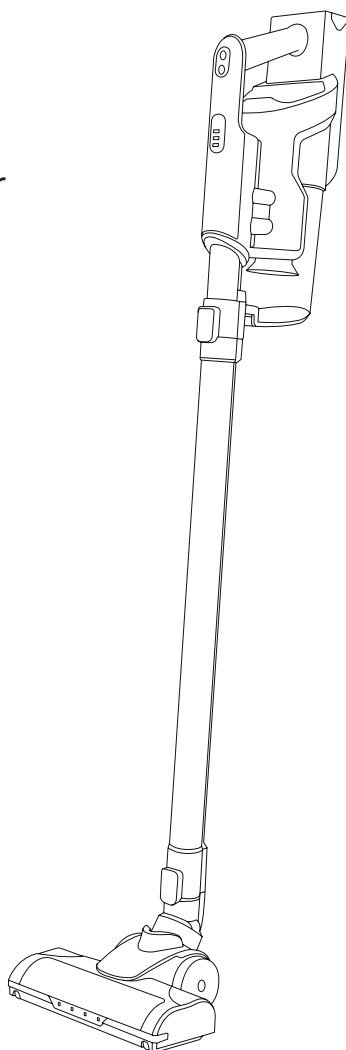
Aspirador escoba

Aspirateur balai

Aspirador vertical

Standstaubsauger

Scopa elettrica







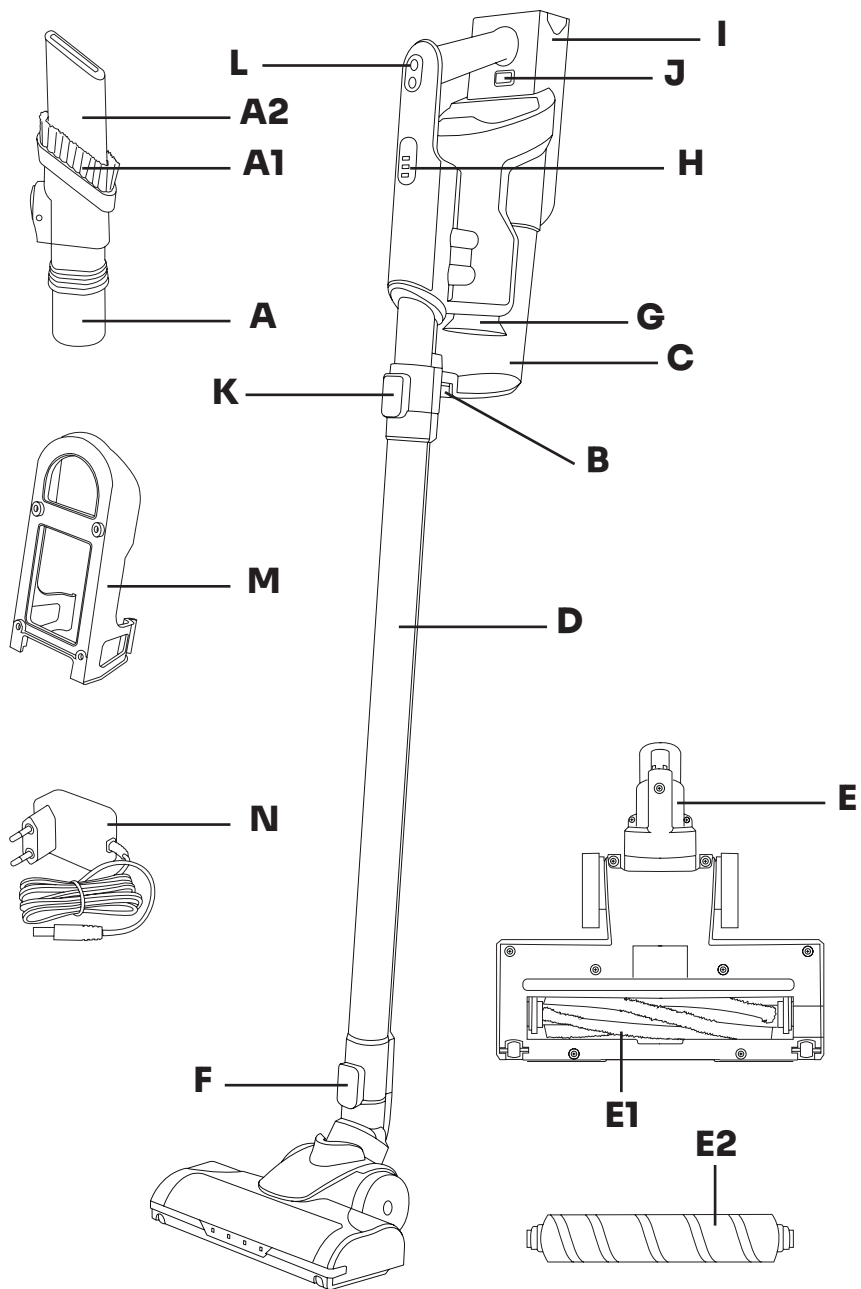


Fig.1

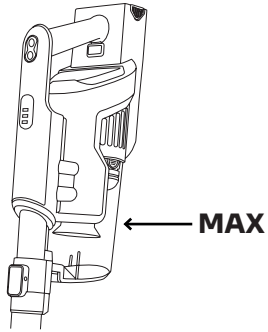


Fig.2

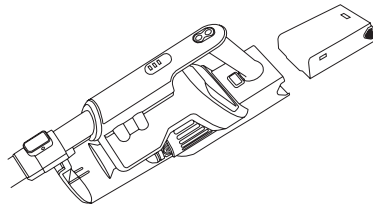


Fig.3

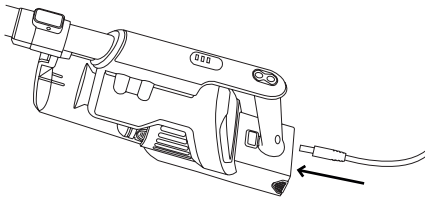


Fig.4

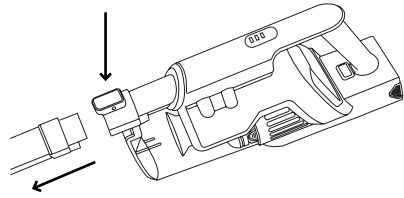


Fig.5

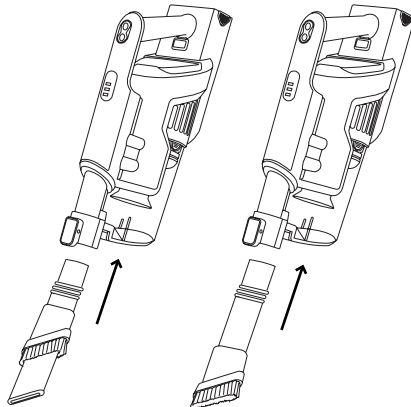


Fig.6

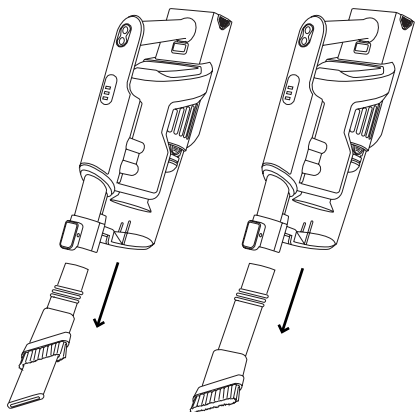


Fig.7

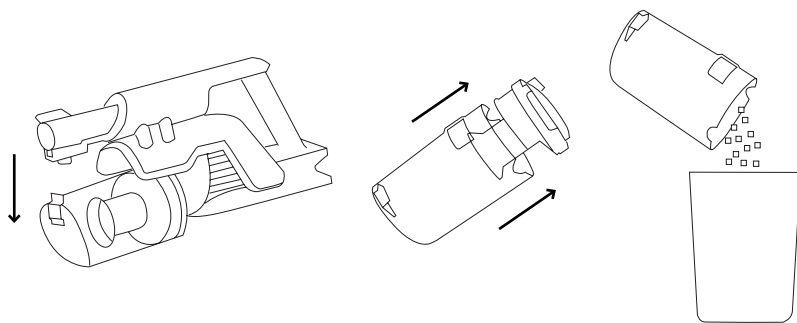


Fig.8

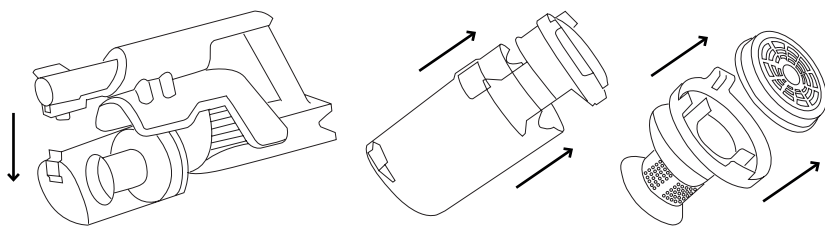


Fig.9

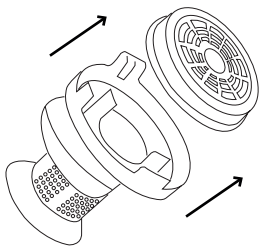


Fig.10

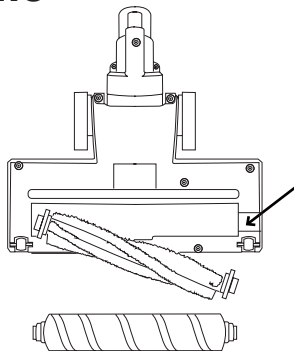
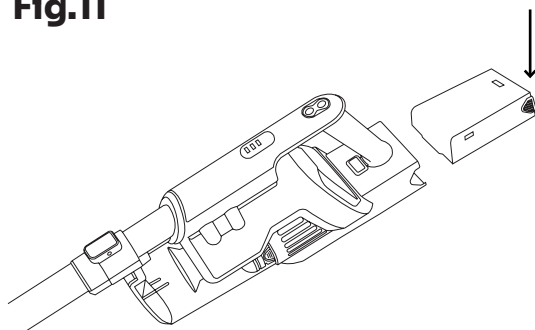


Fig.11



Dear customer,

Many thanks for choosing to purchase a Mellerware brand product.

Thanks to its technology, design and operation and the fact that it exceeds the strictest quality standards, a fully satisfactory use and long product life can be assured.

**Safety advice
and warnings**

- 1.** Read these instructions carefully before switching on the appliance and keep them for future reference. Failure to follow and observe these instructions could lead to an accident.
- 2.** This appliance can be used by children aged from 8 years and above and persons with reduced physical, sensory or mental capabilities or lack of experience and knowledge if they have been given supervision or instruction concerning use of the appliance in a safe way and understand the hazards involved.
- 3.** Cleaning and user maintenance shall not be made by children without supervision
- 4.** This appliance is not a toy. Children should be supervised to ensure that they do not play with the appliance.
- 5.** Disconnect the battery charger from the mains when not in use and before undertaking any cleaning task.
- 6.** The battery must be removed from the appliance before it is scrapped.
- 7.** The appliance must be disconnected from the supply mains when removing the battery.
- 8.** The battery is to be disposed of safely.
- 9.** If the connection to the mains has been damaged, it must be replaced, take the appliance to an authorised technical support service. Do not attempt to disassemble or repair the appliance

by yourself in order to avoid a hazard.

10. This appliance is for household use only, not professional, industrial use.

11. Only use the appliance with the specific charger, provided with the appliance.

- Ensure that the voltage indicated on the charger rating label matches the mains voltage before plugging in the charger.
- Connect the appliance to a socket that can supply a minimum of 10 amperes.
- The charger's plug must fit correctly into the mains socket. Do not alter the plug. Do not use plug adaptors.
- Do not force the power cord. Never use the power cord to lift up, carry or unplug the battery charger.
- Do not wrap the power cord around the appliance.
- Do not clip or crease the power cord.
- Check the state of the power cord. Damaged or tangled cables increase the risk of electric shock.
- Do not touch the plug with wet hands.
- Do not use the appliance if the cable or plug is damaged.
- If any of the appliance casings breaks, immediately disconnect the appliance from the mains to prevent the possibility of an electric shock.
- Do not use the appliance if it has fallen on the floor, if there are visible signs of damage or if it has a leak.
- Avoid all contact with the liquid that could be released from the battery. In case of contact with eyes, wash them thoroughly and seek medical advice. The liquid spilled from the battery may cause irritation or burns.

USE AND CARE

- Do not use the appliance without its filter(s) correctly in place.
- Do not use the appliance if its accessories are not properly fitted.
- Do not use the appliance to gather up water or any other liquid.
- Do not use the appliance if the on/off switch does not work.
- Respect the MAX level indication (Fig. 1).
- Store this appliance out of reach of children and/or persons with physical, sensory or reduced mental or lack of experience and knowledge.
- Do not work on areas where there are metal objects, such as nails and/or screws.
- Never vacuum hot or sharp objects (cigarette butts, ashes, nails, etc.).
- Do not open the battery/ies under any circumstances whatsoever.

- When the battery/ies is not in use, keep it away from other metal objects like paper clips, coins, keys, screws... that could connect a terminal to another.
- Do not short-circuit the battery terminals as this may cause an explosion or fire.
- The battery/ies should be stored at a temperature of below 40°C.
- Only use the appliance for carrying out dry tasks.
- Never leave the appliance connected and unattended if is not in use. This saves energy and prolongs the life of the appliance.
- Recharge the battery/ies only with the charger supplied by the manufacturer. A charger that is suitable for one type of battery may cause explosion or fire hazard when used with other battery/ies.
- Use the device only with the battery/ies for which has been specifically designed. The use of any other battery/ies can cause an explosion or fire hazard.

Service

Any misuse or failure to follow the instructions for use renders the guarantee and the manufacturer's liability null and void.

Description

- A – 2 in 1 accessory
 - A1 – Upholstery nozzle
 - A2 – Crevice tool

- B – Dust tank release button
- C – Dust tank
- D – Extension tube
- E – Motorized brush
 - E1 – Carpets brush
 - E2 – Hard floors brush
- F – Brush release button
- G – Cyclone and filter
- H – Battery indicator
- I – Battery
- J – Battery release button
- K – Accesories/tuve release button
- L – On/Off button
- M – Wall support
- N – Power supply

If the model of your appliance does not have the accessories described above, they can also be bought separately from the Technical Assistance Service.

Installation

- Be sure to remove all packaging material from inside the appliance.
- Make sure the battery is securely in place. (Fig.2)

ASSEMBLING THE WALL BRACKET

- The appliance has a wall bracket (M) which must be fixed to the wall.
- Fix the wall bracket as you think appropriate, using plugs, screws, and adhesive...
- Make sure that the bracket is firmly fixed; it should be able to support twice the weight of the appliance.
- Fit the appliance into the wall support.

CHARGING THE BATTERY

- **Caution:** A new battery is not fully charged and must therefore be charged before the appliance is used for the first time.
- Charge the battery at an atmospheric temperature of between 4 and 40°C.
- Plug the charger (N) into the mains.
- A pilot light will come on to indicate that the charger is ready to begin charging the battery.
- Approximately 3 to 4 hours are needed for a complete charge of the battery. Never attempt to over-charge the battery (although it is recommended that the first charge of the battery be of 5 hours in duration).
- Connect the charger to the jack using the socket on the appliance.
- The socket is located at the back part of the appliance (Fig.3).
- The pilot light will come on to indicate that the charger is charging the battery.
- At the end of the time period specified above, remove the battery from the charger.
- When the battery is charged disconnect the charger from the mains supply.

NB: Do not use the appliance while it is connected to the charger.

CHANGE OF MOTORIZED BRUSH

- At the bottom of the brush you have to press the button to unpin the brush. (Fig.10).

- Choose the brush according to the needs of aspiration:
 - E-1 Carpets brush.
 - E-2 Hard floors brush

INSTRUCTIONS FOR USE BEFORE USE

- Before using this product for the first time, it is important to make a full charge of batteries.
- Prepare the appliance according to the function you wish to use.

VACUUMING FUNCTION

- Connect the tube in the air intake and the brush at the end of the extension tube. (D)
- To disconnect the extension tube of the vacuum cleaner, press the release button of accessories (K) and pull out. (Fig.4)

USE

- Turn the appliance on, by using the on/off button. (L)
- Turn the appliance on, by using one of the speed selection buttons.

FITTING AN ACCESSORY TO THE HAND VACUUM

- The following accessory is designed to insert into hand vacuum cleaner and extension tube. (Fig. 5) Accessory 2 in 1:
 - A-1 Brush for furniture or textile.
 - A-2 Lance.

ONCE YOU HAVE FINISHED USING THE APPLIANCE

- Turn the appliance off using the on/off button. (L)
- Remove the battery from the appliance if you are not intending to use the appliance during an extended period.
- Clean the appliance.

Cleaning

- Disconnect the battery charger from the mains and allow it to cool before undertaking any cleaning task.
- Clean the equipment with a damp cloth with a few drops of washing-up liquid and then dry.
- Do not use solvents, or products with an acid or base pH such as bleach, or abrasive products, for cleaning the appliance.
- Never submerge the appliance in water or any other liquid or place it under running water.

EMPTYING THE DUST TANK

- Empty the dust box when it is full (observation facilitated by transparent windows), or when vacuuming power is notably reduced.
- Disconnect the hose from the vacuum cleaners air intake. (Fig.6).
- Disconnect the dust tank pressing the button (B), remove the cyclone from the tank and empty the dust container. (Fig.7)

CLEANING THE FILTERS

- Disconnect the hose from the vacuum cleaners air intake. (Fig.6).
- Disconnect the dust tank pressing the button (B), remove the cyclone and the filter. (Fig.8)
- Remove the filter from its housing (Fig.9).
- To reassemble the filter, proceed with the above instructions, in reverse order.
- **IMPORTANT:** The filters can be cleaned with cold water, but they must be left to dry for a minimum of 24 hours before reusing them.
- Dust tank EPA filter (efficient air filter that efficiently retains spores, ash, sawdust, pollen...), it is advisable to change it a least once a year or after every 50 hours of use, or if its potency diminishes remarkably.

BRUSH CLEANING

- At the bottom of the brush you have to press the button to unpin the brush. (Fig.10).
- Clean the brush with the help of scissors.

SUPPLIES

- Supplies can be acquired from distributors and authorised establishments (such as filters, etc...) for your appliance model.
- Always use original supplies, designed specifically for your appliance model.

Anomalies and repair

Take the appliance to an authorised technical support service if product is damaged or other problems arise. Do not attempt to disassemble or repair the appliance yourself as this may be dangerous.

For EU product versions and/or in case that it is requested in your country:

ECOLOGY AND RECYCLABILITY OF THE PRODUCT

- The materials of which the packaging of this appliance consists are included in a collection, classification and recycling system. Should you wish to dispose of them, use the appropriate public recycling bins for each type of material.
- The product does not contain concentrations of substances that could be considered harmful to the environment.



- This symbol means that in case you wish to dispose of the product once its working life has ended; take it to an authorised waste agent for the selective collection of

Waste from Electric and Electronic Equipment (WEEE).



- This symbol means that product may include a

battery or batteries; user must to remove them before disposing of the product. Remember that batteries must be disposed of in duly authorised containers. Do not dispose of them in fire.

HOW TO REMOVE THE BATTERIES FROM THE INTERIOR OF THE DEVICE

CAUTION: It is important that the batteries are fully discharged prior to its withdrawal from the apparatus.

- **CAUTION:** the appliance must be disconnected from the supply mains when removing the batteries.
- To remove the batteries, once the life of the appliance, proceed as follows. Press both buttons and remove the battery from its housing. (Fig.11).

- This appliance complies with Directive 2014/35/EU on Low Voltage, Directive 2014/30/EU on Electromagnetic Compatibility, Directive 2011/65/EU on the restrictions of the use of certain hazardous substances in electrical and electronic equipment and Directive 2009/125/EC on the ecodesign requirements for energy-related products

Warranty and technical assistance

This product enjoys the recognition and protection of the legal

guarantee in accordance with current legislation. To enforce your rights or interests you must go to any of our official technical assistance services. You can find the closest one by accessing the following web link:

www.mellerware.com.
 You can also request related information by contacting us. You can download this instruction manual and its updates at www.mellerware.com

The following information is regarding to energy labelling and ecodesign:

Trademark and address	ENGINEERING AND TECHNOLOGY FOR LIFE, S.L. Av. Barcelona, s/n, 25790 Oliana, Lleida, Spain
Model	WHOOSHY Wireless Black (ver I)
Input Voltage	100-240 V
Input AC Frequency	50/60 Hz
Output Voltage	26,0VDC
Output Current	0,45 A
Output Power	11,7 W
Average Active Efficiency	85,97% supplied at 230V 50Hz
Efficiency at low load (10%)	77,18% supplied at 230V 50Hz
No-load power consumption	0,086W supplied at 230V 50Hz

To establish compliance with the ecodesign requirements and for calculation of energy labelling parameters the appliance the European standard EN 50563 is used as reference.

Distinguido cliente:

Le agradecemos que se haya decidido por la compra de un producto de la marca Mellerware. Su tecnología, diseño y funcionalidad, junto con el hecho de superar las más estrictas normas de calidad le comportarán total satisfacción durante mucho tiempo.

Consejos y advertencias de seguridad

- 1.** Leer atentamente este folleto de instrucciones antes de poner el aparato en marcha y guardarlo para posteriores consultas. La no observación y cumplimiento de estas instrucciones pueden comportar como resultado un accidente.
- 2.** Este aparato pueden utilizarlo niños con edad de 8 años y superior y personas con capacidades físicas, sensoriales o mentales reducidas o falta de experiencia y conocimiento, si se les ha dado la supervisión o formación apropiadas respecto al uso del aparato de una manera segura y comprenden los peligros que implica.
- 3.** La limpieza y el mantenimiento a realizar por el usuario no deben realizarlos los niños sin supervisión.
- 4.** Este aparato no es un juguete. Los niños deben estar bajo vigilancia para asegurar que no jueguen con el aparato.
- 5.** Desenchufar el cargador de baterías de la red cuando no se use y antes de realizar cualquier operación de limpieza.
- 6.** La batería debe ser retirada del aparato antes de que se deseche.
- 7.** El aparato debe estar desconectado de la red de alimentación al quitar la batería.
- 8.** La batería debe ser eliminada de manera segura.
- 9.** Si el cable de alimentación está dañado, debe ser substituido por el fabricante, por su servicio postventa o por

- 9.** personal cualificado similar con el fin de evitar un peligro.
- 10.** Este aparato está pensado únicamente para un uso doméstico, no para uso profesional o industrial
- 11.** Usar el aparato solamente con la fuente de alimentación específica, suministrada con el aparato.
- Antes de conectar el cargador de baterías a la red, verificar que el voltaje indicado en la placa de características coincide con el voltaje de red.
 - Conectar el aparato a una base de toma de corriente que soporte como mínimo 10 amperios.
 - La clavija del cargador de baterías debe coincidir con la base eléctrica de la toma de corriente. Nunca modificar la clavija. No usar adaptadores de clavija.
 - No forzar el cable eléctrico de conexión. Nunca usar el cable eléctrico para levantar, transportar o desenchufar el cargador de baterías.
 - No enrollar el cable eléctrico de conexión alrededor del aparato.
 - No dejar que el cable eléctrico de conexión quede atrapado o arrugado.
 - Verificar el estado del cable eléctrico de conexión. Los cables dañados o enredados aumentan el riesgo de choque eléctrico.
 - No tocar la clavija de conexión con las manos mojadas.
 - No utilizar el aparato con el cable eléctrico o la clavija dañada.
 - Si alguna de las envolventes del aparato se rompe, desconectar inmediatamente el aparato de la red para evitar la posibilidad de sufrir un choque eléctrico.
 - No utilizar el aparato si ha caído, si hay señales visibles de daños, o si existe fuga.
 - Evite cualquier contacto con el líquido que pueda desprender la batería. Caso de contacto accidental con los ojos lávelos y acuda a un médico. El líquido derramado por la batería puede provocar irritación o quemaduras.
- UTILIZACIÓN Y CUIDADOS**
- No usar el aparato sin su/s filtro/s correctamente colocados.
 - No usar el aparato si sus accesorios no están debidamente acoplados.
 - No usar el aparato para recoger agua ni cualquier otro líquido.
 - No usar el aparato si su dispositivo de puesta en marcha/paro no funciona.
 - Respetar la indicación de nivel MAX (Fig.1).

- Guardar este aparato fuera del alcance de los niños y/o personas con capacidades físicas, sensoriales o mentales reducidas o falta de experiencia y conocimiento
- No actuar sobre áreas que contengan objetos metálicos tales como clavos y/o tornillos.
- No aspirar nunca objetos incandescentes o cortantes (colillas, cenizas, clavos...).
- No abrir la/s batería/s bajo ningún motivo.
- Cuando la/s batería/s no estén en uso, éstas deben mantenerse alejadas de otros objetos metálicos como clips para papeles, monedas, llaves, tornillos... que pudieran establecer conexión de un terminal a otro.
- Evite provocar un cortocircuito entre los terminales de la batería, ya que existe riesgo de explosión o incendio.
- Guardar la/s batería/s en lugares donde la temperatura no supere los 40°C.
- Usar el aparato solamente en tareas de trabajo en seco.
- No dejar nunca el aparato conectado y sin vigilancia.
- Además, ahorrará energía y prolongará la vida del aparato.
- Recargue la/s batería/s solamente con el cargador suministrado por el fabricante. Un cargador que es adecuado para un tipo de baterías, puede ocasionar un peligro de explosión o incendio

cuando es usado con otra/s batería/s.

- Use el aparato solamente con la/s batería/s por las que ha estado diseñado específicamente. El uso de cualquier otra/s batería/s puede ocasionar un peligro de explosión o incendio.

Servicio

Toda utilización inadecuada, o en desacuerdo con las instrucciones de uso, puede comportar peligro, anulando la garantía y la responsabilidad del fabricante.

Descripción

- A – Accesorio 2 en 1
 - A1 – Cepillo para muebles y tapicería
 - A2 – Lanza
- B – Botón para extraer el depósito
- C – Depósito de polvo
- D – Tubo de extensión
- E – Cepillo motorizado
 - E1 – Cepillo de cerdas para alfombras y moquetas
 - E2 – Cepillo para suelos duros
- F – Botón de liberación del cepillo
- G – Ciclón y filtro
- H – Indicador estado de la batería
- I – Batería
- J – Botón para extraer las baterías
- K – Botón para extraer los accesorios/ tubo de extensión
- L – Botón de ON/OFF
- M – Soporte mural
- N – Fuente de alimentación

- En caso de que su modelo de aparato no disponga de los accesorios descritos anteriormente, éstos también pueden adquirirse por separado en los Servicios de Asistencia Técnica.

Instalación

- Asegurarse de retirar todo material de embalaje del interior del aparato.
- Asegurarse que la batería está bien colocada (Fig. 2).

MONTAJE DEL SOPORTE MURAL

- El aparato dispone de un soporte mural (M), el cual debe fijarse en la pared.
- Fije el soporte mural de la forma que considere más adecuada mediante tacos, tornillos, adhesivos...
- Asegurarse que el soporte esté anclado de forma que sea capaz de aguantar al menos el doble del peso del aparato.
- Encajar el aparato en su soporte mural.

CARGA DE LA BATERÍA

Advertencia: Una batería nueva no viene con carga completa y debe ser cargada al máximo antes de usar el aparato por primera vez. Cargar la batería a temperatura ambiente entre 4 y 40°C. Enchufar la fuente de alimentación (N) a la red eléctrica.

- Se iluminará un piloto que indica que el cargador está listo para iniciar la carga de la batería.
- El tiempo necesario para una carga completa es de 3 a 4 horas aproximadamente. Nunca intente sobrecargar las baterías (aunque es recomendable que la primera carga se realice durante 5 horas de carga).
- Enchufar el conector del cargador en la toma de corriente del aparato, situada en la parte superior del mango del aparato (Fig.3).
- Mientras la batería se esté cargando, se iluminará el piloto que indica que el cargador está cargando la batería.
- Quitar la batería del cargador una vez transcurrido el tiempo especificado.
- Una vez finalizada la carga, desenchufar el cargador de la red eléctrica.
- **Nota:** No utilizar el aparato mientras esté conectado al cargador.

CAMBIO DEL CEPILLO MOTORIZADO

- En la parte inferior de la zapata hay que presionar el botón para desanclar el cepillo. (Fig.10).
- Elegir el cepillo según las necesidades de aspiración:
 - E1 Cepillo de cerdas para alfombras y moquetas
 - E2 Cepillo para suelos duros

MODO DE EMPLEO

NOTAS PREVIAS AL USO

- Antes de usar el producto por primera vez, es importante hacer una carga completa de las baterías.
- Preparar el aparato acorde a la función que desee realizar.

FUNCIÓN ASPIRA

- Acoplar el tubo a la entrada aire del aspirador y la zapata al final del tubo de extensión (D).
- Para desacoplar el tubo de extensión del aspirador, presione botón de liberación de los accesorios (K) y estire hacia fuera. (Fig.4).

USO

- Poner el aparato en marcha, accionando el botón marcha/paro. (L)
- El piloto luminoso de la zapata y el indicador de batería se iluminarán.

INSERCIÓN DE UN ACCESORIO AL ASPIRADOR DE MANO O AL TUBO DE EXTENSIÓN

- El aspirador de mano o el tubo de extensión está diseñado de tal forma que permite la inserción de los siguientes accesorios: (use la combinación que más se ajuste a sus necesidades). (Fig.5).
- Accesorio 2 en 1:
- A1 Cepillo para muebles y tapicería.
- A2 Lanza

UNA VEZ FINALIZADO EL USO DEL APARATO

- Parar el aparato, accionando el botón marcha/ paro (L).
- Retirar las pilas/baterías del aparato si no se va a usar el aparato en mucho tiempo.
- Limpiar el aparato.

Limpieza

- Desenchufar el cargador eléctrico de la red y dejarlo enfriar antes de iniciar cualquier operación de limpieza.
- Limpiar el aparato con un paño húmedo impregnado con unas gotas de detergente y secarlo después.
- No utilizar disolventes, ni productos con un factor pH ácido o básico como la lejía, ni productos abrasivos, para la limpieza del aparato.
- No sumergir el aparato en agua u otro líquido, ni ponerlo bajo el grifo.

VACIADO DEL DEPÓSITO DE POLVO

- Vaciar el depósito de polvo cuando se aprecie a través de sus paredes transparentes que esté lleno o bien cuando se produzca una reducción importante de la potencia de aspiración del aparato.
- Desacoplar los accesorios de la entrada aire del aspirador. (Fig.6).
- Desacoplar el depósito presionando el botón (B), extraer

el ciclón del depósito y vaciar el depósito de polvo. (Fig.7)

LIMPIEZA DE FILTROS

- Desacoplar los accesorios de la entrada aire del aspirador. (Fig.6).
- Desacoplar el depósito presionando el botón (B), extraer el ciclón del depósito y el filtro. (Fig.8) Retirar el filtro de su alojamiento (Fig.9).
- Para el montaje del filtro, proceda de manera inversa a lo explicado en el apartado anterior.
- **IMPORTANTE:** Los filtros se pueden limpiar con agua fría, pero hay que dejarlos secar durante mínimo 24 horas antes de volver a usarlos.
- Filtro depósito tipo EPA (filtro de aire eficiente que retiene esporas, cenizas, ácaros, polen...), se recomienda revisar periódicamente el estado del filtro, sustituido cada 50 horas de uso.

LIMPIEZA DEL CEPILLO

- En la parte inferior de la zapata hay que presionar el botón para desanclar el cepillo. (Fig.10). Limpia el cepillo con la ayuda de unas tijeras.

CONSUMIBLES

- En los distribuidores y establecimientos autorizados se podrán adquirir los consumibles (tales como; filtros, etc) para su modelo de aparato.
- Usar siempre consumibles originales, diseñados

específicamente para su modelo de aparato.

Anomalías y reparación

En caso de avería llevar el aparato a un Servicio de Asistencia Técnica autorizado. No intente desmontarlo o repararlo ya que puede existir peligro.

Para las versiones EU del producto y/o en el caso de que en su país aplique:

ECOLOGÍA Y RECICLABILIDAD DEL PRODUCTO

- Los materiales que constituyen el envase de este aparato, están integrados en un sistema de recogida, clasificación y reciclado de los mismos. Si desea deshacerse de ellos, puede utilizar los contenedores públicos apropiados para cada tipo de material.
- El producto está exento de concentraciones de sustancias que se puedan considerar dañinas para el medio ambiente.



- Este símbolo significa que, si desea deshacerse del producto, una vez transcurrida la vida del mismo, debe depositarlo por

los medios adecuados a manos de un gestor de residuos autorizado para la recogida selectiva de

Residuos de Aparatos Eléctricos y Electrónicos (RAEE).



- Este símbolo significa que el producto puede disponer de pilas o baterías en su interior, las cuales deben ser retiradas

previamente antes de deshacerse del producto. Recuerde que las pilas/baterías deben depositarse en contenedores especiales autorizados. Y que nunca deben tirarse al fuego.

COMO RETIRAR DE LAS BATERÍAS DEL INTERIOR DEL APARATO

- **Advertencia:** Es importante que las baterías se encuentren completamente descargadas antes de proceder a su retirada del aparato.
- **Advertencia:** el aparato debe estar desconectado de la alimentación cuando se retiren las baterías.
- Para retirar las baterías, una vez finalizada la vida del aparato, proceder como sigue.
- Presionar los botones para extraer la batería de su alojamiento. (Fig.11).

Este aparato cumple con la Directiva 2014/35/EU de Baja Tensión, con la Directiva 2014/30/EU de Compatibilidad Electromagnética, con la Directiva 2011/65/EU sobre restricciones a la utilización de determinadas sustancias peligrosas en aparatos

eléctricos y electrónicos y con la Directiva 2009/125/EC sobre los requisitos de diseño ecológico aplicable a los productos relacionados con la energía.

Garantía y asistencia técnica

Este producto goza del reconocimiento y protección de la garantía legal de conformidad con la legislación vigente. Para hacer valer sus derechos o intereses debe acudir a cualquiera de nuestros servicios de asistencia técnica oficiales. Podrá encontrar el más cercano accediendo al siguiente enlace web: www.mellerware.com También puede solicitar información relacionada poniéndose en contacto con nosotros por el teléfono que aparece al final de este manual. Puede descargar este manual de instrucciones y sus actualizaciones en www.mellerware.com

La siguiente información es con respecto al etiquetado energético y el diseño ecológico:

Marca y dirección	ENGINEERING AND TECHNOLOGY FOR LIFE, S.L. Av. Barcelona, s/n, 25790 Oliana, Lleida, Spain
Modelo	WHOOSHY Wireless Black (ver I)
Tensión de entrada	100-240 V
Frecuencia de la CA de entrada	50/60 Hz
Tensión de salida	26,0VDC
Intensidad de salida	0,45 A
Potencia de salida	11,7 W
Eficiencia media en activo	85,97% suministrado a 230V 50Hz
Eficiencia a baja carga (10%)	77,18 % suministrado a 230V 50Hz
Consumo eléctrico en vacío	0,086 W suministrado a 230V 50Hz

Para determinar el cumplimiento con los requisitos de diseño ecológico y para el cálculo de los parámetros de etiquetado energético la normativa Europea EN 50563 es tomada como referencia.

Cher client,

Nous vous remercions d'avoir acheté un produit Mellerware. Sa technologie, son design et sa fonctionnalité, outre sa parfaite conformité aux normes de qualité les plus strictes, vous permettront d'en tirer une longue et durable satisfaction.

Conseils et avertissements de sécurité

- 1.** Lire attentivement cette notice d'instructions avant de mettre l'appareil en marche, et la conserver pour la consulter ultérieurement. Le non-respect de ces instructions peut être source d'accident.
- 2.** Cet appareil peut être utilisé par des personnes non familiarisées avec son fonctionnement, des personnes handicapées ou des enfants âgés de plus de 8 ans, et ce, sous la surveillance d'une personne responsable ou après avoir reçu la formation nécessaire sur le fonctionnement sûr de l'appareil et en comprenant les dangers qu'il comporte.
- 3.** Les enfants ne doivent pas réaliser les opérations de nettoyage ou de maintenance de l'appareil sans la supervision d'un adulte.
- 4.** Cet appareil n'est pas un jouet. Les enfants doivent être surveillés pour s'assurer qu'ils ne jouent pas avec l'appareil.
- 5.** Débrancher l'appareil du réseau électrique si vous ne l'utilisez pas et avant toute opération de nettoyage.
- 6.** La batterie doit être retirée de l'appareil avant la mise au rebut.
- 7.** Pour retirer la batterie, l'appareil doit être débranché de l'alimentation secteur.
- 8.** La batterie doit être éliminée en toute sécurité.
- 9.** Si le cordon d'alimentation est endommagé, il devra

être remplacé par le fabricant, par un service après-vente ou par tout professionnel agréé afin d'écartier tout danger.

10. Cet appareil est uniquement destiné à un usage domestique et non à un usage professionnel ou industriel.

11. Utiliser l'appareil uniquement avec la source d'alimentation spécifique, livrée avec l'appareil.

- Avant de brancher le chargeur de batteries au réseau électrique, vérifier que la tension indiquée sur la plaque signalétique correspond à celle du réseau.
- Raccorder l'appareil à une prise pourvue d'une fiche de terre et supportant au moins 10 ampères.
- La prise de courant du chargeur de batterie doit coïncider avec la base de la prise de courant. Ne jamais modifier la prise de courant.
- Ne pas utiliser d'adaptateur de prise de courant.
- Ne pas forcer le câble électrique de connexion. Ne jamais utiliser le câble électrique pour lever, transporter ou débrancher l'appareil.
- Ne pas enrouler le câble électrique autour de l'appareil.
- Éviter que le câble électrique de connexion ne se coince ou ne s'emmêle.
- Vérifier l'état du câble électrique de connexion. Les câbles endommagés ou emmêlés augmentent le risque de choc électrique.
- Ne pas toucher la prise de raccordement avec les mains mouillées.
- Ne pas utiliser l'appareil si son câble électrique ou sa prise est endommagé.
- Si une des enveloppes protectrices de l'appareil se rompt, débrancher immédiatement l'appareil du secteur pour éviter tout choc électrique.
- Ne pas utiliser l'appareil s'il est tombé, s'il y a des signes visibles de dommages ou en cas de fuite.
- Éviter tout contact avec le liquide de la batterie. En cas de contact accidentel avec les yeux, lavez-les et allez voir un médecin. Le liquide que contient la batterie peut provoquer une irritation ou des brûlures.

UTILISATION ET ENTRETIEN

- Ne pas utiliser l'appareil si son ou ses filtre(s) ne sont pas installés correctement.
- Ne pas utiliser l'appareil si ses accessoires ne sont pas dûment fixés.
- Ne pas utiliser l'appareil pour aspirer de l'eau ou autre liquide.

- Ne pas utiliser l'appareil si son dispositif de mise en marche/arrêt ne fonctionne pas.
- Observer l'indication du niveau MAX (Fig. 1).
- Conserver cet appareil hors de portée des enfants ou des personnes avec capacités physiques, sensorielles ou mentales réduites ou présentant un manque d'expérience et de connaissances
- Ne pas intervenir sur des zones contenant des objets métalliques tels que des clous et/ou vis.
- Ne jamais aspirer d'objets incandescents ou coupants (mégots, cendres, clous...)
- Ne jamais ouvrir la(les) batterie(s).
- Lorsque vous n'utiliserez pas la batterie, veillez à l'éloigner d'autres objets métalliques tels que des trombones, des monnaies, des clefs, etc. qui pourraient connecter un pôle à l'autre.
- Éviter de provoquer un court-circuit entre les bornes de la batterie, puisqu'il existe un danger d'explosion ou d'incendie.
- Ne pas garder l'appareil dans un endroit où la température pourrait être supérieur à 40°C.
- Utiliser l'appareil uniquement pour des tâches à sec.
- Ne jamais laisser l'appareil sans surveillance lorsqu'il est branché.
- Ceci permettra également de réduire sa consommation d'énergie et de prolonger sa durée de vie.
- Recharger la(les) batterie(s) à l'aide du chargeur fourni par le fabricant.
- Un chargeur qui est approprié pour un certain type de batteries, peut causer un danger d'explosion ou d'incendie lorsqu'on l'utilise avec d'autres batteries.
- Utiliser uniquement les batteries qui ont été spécifiquement conçues pour cet appareil. L'usage de tout autre type de pile pourrait être source d'explosion ou d'incendie.

Entretien

Toute utilisation inappropriée ou non conforme aux instructions d'utilisation annule la garantie et la responsabilité du fabricant.

Description

- A – Accessoire 2 en 1
 - A1 – Brosse pour meubles et tapisseries.
 - A2 – Lance
- B – Bouton pour retirer le réservoir
- C – Réservoir à poussière
- D – Tube d'extension
- E – Brosse motorisée
 - E1 – Brosse à poils pour tapis et moquettes
 - E2 – Brosse pour sols durs
- F – Bouton de libération de la brosse
- G – Cyclone et filtre
- H – Indicateur d'état de la batterie
- I – Batterie
- J – Bouton pour retirer la batterie
- K – Bouton pour retirer les accessoires /tube d'extension
- L – Bouton marche/arrêt

M – Support mural

N – Source d'alimentation

- Dans le cas où votre modèle ne disposerait pas des accessoires décrits antérieurement, ceux-ci peuvent être achetés séparément auprès des services d'assistance technique.

Installation

- S'assurer d'avoir retiré tout le matériel d'emballage du produit.
- Assurez-vous que la batterie est insérée correctement (Fig. 2).

MONTAGE DU SUPPORT MURAL

- Le dispositif dispose d'un support mural (M), qui devra être fixé au mur.
- Fixer le support mural à votre préférence: avec des chevilles, des vis, des adhésifs...
- S'assurer que le support est bien fixé et qu'il est capable de soutenir au moins le double du poids de l'appareil.
- Emboîter l'appareil dans son support mural.

CHARGER LA BATTERIE

- **Avertissement:** Une batterie neuve n'est pas complètement chargée et doit être chargée au maximum avant d'utiliser l'appareil la première fois.
- Charger la batterie à température ambiante, entre 4 et 40°C
- Brancher le chargeur (N) au réseau électrique.

- Un voyant s'allume pour indiquer que le chargeur est prêt à charger la batterie.

- Le temps nécessaire au chargement complet est d'environ 3 à 4 heures. Ne jamais essayer de surcharger les batteries (bien qu'il soit recommandable de réaliser la première charge pendant 5 heures de charge).

- Branchez le connecteur du chargeur dans la prise de l'appareil, située en haut de la poignée de l'appareil (Fig. 3).

- Pendant que la batterie se chargera, le témoin s'allumera, en vous indiquant ainsi que le chargeur est en marche.

- Débrancher la batterie du chargeur une fois le temps spécifié écoulé.

- Une fois la charge complétée, débrancher le chargeur du réseau électrique.

- **Remarque:** Ne pas utiliser l'appareil tant qu'il sera branché au chargeur.

CHANGEMENT DE LA BROSSE MOTORISÉE

- Sur la partie inférieure du socle, appuyer sur le bouton pour décrocher la brosse. (Fig.10).
- Choisir la brosse en fonction des besoins d'aspiration :
- E1 Brosse à poils pour tapis et moquettes
- E2 Brosse pour sols durs

Mode d'emploi

REMARQUES AVANT UTILISATION

- La première fois, avant son usage, vous devrez charger complètement les batteries.
- Préparer l'appareil conformément à la fonction désirée.

FONCTION D'ASPIRATION

- Raccorder le tube à l'entrée d'air de l'aspirateur et la tête à la fin du tube télescopique d'extension (D).
- Pour enlever le tube télescopique de l'aspirateur, appuyer sur le bouton de libération des accessoires (K) et tirer vers l'extérieur. (Fig.4).

UTILISATION

- Mettre l'appareil en marche en actionnant l'interrupteur de marche/arrêt. (L)
- Le voyant lumineux de la tête et l'indicateur de la batterie s'allumeront.

INSERTION D'UN ACCESSOIRE SUR L'ASPIRATEUR MANUEL OU SUR LE TUBE TÉLESCOPIQUE D'EXTENSION

- L'aspirateur manuel ou le tube télescopique d'extension est conçu de manière à permettre l'insertion des accessoires suivants: (utiliser la combinaison qui s'ajuste le mieux à vos besoins). (Fig.5).
- Accessoire 2 en 1:
- A1 Brosse pour meubles et tapisserie
- A2 Lance

APRÈS UTILISATION DE L'APPAREIL

- Arrêter l'appareil en appuyant sur la touche marche/arrêt. (L)
- Retirer les piles ou les batteries si l'appareil ne doit pas être utilisé pendant un certain temps.
- Nettoyer l'appareil.

Nettoyage

- Débrancher l'appareil du secteur et attendre son complet refroidissement avant de la nettoyer.
- Nettoyer l'appareil avec un chiffon humide imprégné de quelques gouttes de détergent et le laisser sécher.
- Ne pas utiliser de solvants ni de produits au pH acide ou basique tels que l'eau de Javel, ni de produits abrasifs pour nettoyer l'appareil.
- Ne pas immerger l'appareil dans l'eau ou dans tout autre liquide, ni le passer sous un robinet.

VIDER LE RÉSERVOIR À POUSSIÈRE

- Vider le réservoir à poussière lorsque vous observerez, à travers ses parois transparentes, qu'il est plein ou bien lorsqu'il se produira une diminution considérable de la puissance d'aspiration de l'appareil.
- Déboîter les accessoires de l'entrée d'air de l'aspirateur. (Fig.6).
- Désolidariser le réservoir en appuyant sur le bouton (B), retirer

le cyclone du réservoir et vider le réservoir à poussière. (Fig.7)

NETTOYAGE DU FILTRE

- Déboîter les accessoires de l'entrée d'air de l'aspirateur. (Fig.6).
- Désolidariser le réservoir en appuyant sur le bouton (B) et retirer le cyclone du réservoir et le filtre. (Fig.8)
- Retirer le filtre de son emplacement (Fig.9).
- Pour le montage du filtre, procéder de manière inverse aux explications du paragraphe antérieur.
- **IMPORTANT:** Les filtres peuvent être nettoyés à l'eau froide, mais ils doivent être laissés à sécher pendant au moins 24 heures avant de les réutiliser.
- Filtre du réservoir de type EPA (filtre à air efficace retenant les spores, les cendres, les acariens, le pollen...). Il est recommandé de vérifier périodiquement l'état du filtre, et de le remplacer toutes les 50 heures d'utilisation.

NETTOYAGE DE LA BROSSSE

- Sur la partie inférieure du socle, appuyer sur le bouton pour décrocher la brosse. (Fig.10).
- Nettoyer la brosse à l'aide de ciseaux.

ACCESSOIRES

- S'adresser aux distributeurs et établissements autorisés pour acheter les accessoires (par exemple, les filtres, etc.).

- Utiliser toujours des accessoires originaux, spécifiquement créés pour votre modèle d'appareil.

Anomalies et réparation

En cas de panne, remettre l'appareil à un service d'assistance technique agréé. Il est dangereux de tenter de procéder aux réparations ou de démonter l'appareil soi-même.

Pour les versions UE du produit et/ou en fonction de la législation du pays d'installation:

ÉCOLOGIE ET RECYCLAGE DE L'APPAREIL

- Les matériaux constituant l'emballage de cet appareil font partie d'un programme de collecte, de tri et de recyclage. Pour vous débarrasser du produit, merci de bien vouloir utiliser les conteneurs publics appropriés à chaque type de matériau.
- Le produit ne contient pas de substances concentrées susceptibles d'être considérées comme nuisibles à l'environnement.



- Ce symbole signifie que si vous souhaitez vous débarrasser de l'appareil, en fin de vie utile, celui-ci devra être déposé, en prenant les

mesures adaptées, à un centre agréé pour la collecte et le tri des déchets d'équipements électriques et électroniques (DEEE).



- Ce symbole signifie que le produit peut disposer de piles ou de batteries, lesquelles doivent être retirées avant de vous défaire du produit. Rappelez-vous que les piles/batteries doivent être jetées dans des conteneurs spéciaux autorisés. Et qu'elles ne doivent pas être jetées au feu.

COMMENT EXTRAIRE LES BATTERIES DE L'APPAREIL

- **Avertissement:** Important, les batteries doivent être complètement déchargées avant de les extraire de l'appareil.
- **Avertissement:** Pour retirer les batteries, l'appareil doit être débranché de l'alimentation secteur.
- Pour retirer les batteries une fois la vie de l'appareil terminée, suivre la procédure suivante :
- Appuyer sur les boutons pour extraire la batterie de son logement . (Fig.11).

Cet appareil est certifié conforme à la Directive 2014/35/EU de Basse Tension, de même qu'à la Directive 2014/30/EU en matière de Compatibilité Électromagnétique, à la Directive 2011/65/EU relative à la limitation d'utilisation de certaines substances dangereuses dans les équipements électriques

et électroniques et à la Directive 2009/125/EC sur les conditions de conception écologique applicables aux produits faisant usage d'énergie.

Garantie et assistance technique

Ce produit est reconnu et protégé par la garantie établie conformément à la législation en vigueur. Pour faire valoir vos droits ou intérêts, vous devrez vous adresser à l'un de nos services d'assistance technique agréés. Pour savoir lequel est le plus proche, vous pouvez accéder au lien suivant : www.mellerware.com Vous pouvez également demander des informations connexes en nous contactant au numéro de téléphone figurant à la fin de ce manuel. Vous pouvez télécharger cette notice d'instructions et ses mises à jour sur www.mellerware.com

Les informations suivantes sont fournies conformément à l'étiquetage énergétique et à la conception écologique:

Marque et adresse	ENGINEERING AND TECHNOLOGY FOR LIFE, S.L. Av. Barcelona, s/n, 25790 Oliana, Lleida, Spain
Modèle	WHOOSHY Wireless Black (ver I)
Tension d'entrée	100-240 V
Fréquence du CA d'entrée	50/60 Hz
Tension de sortie	26,0VDC
Courant de sortie	0,45 A
Puissance de sortie	11,7 W
Rendement moyen en mode actif	85,97% alimenté à 230V 50Hz
Rendement à faible charge (10%)	77,18% alimenté à 230V 50Hz
Consommation électrique hors charge	0,086W alimenté à 230V 50Hz

Pour déterminer la conformité aux critères de conception écologique et pour le calcul des paramètres d'étiquetage énergétique, la norme européenne EN 50563 est prise en référence.

Prezado cliente:

Obrigado por ter adquirido um eletrodoméstico da marca Mellerware.

A sua tecnologia, design e funcionalidade, aliados às mais rigorosas normas de qualidade, garantir-lhe-ão uma total satisfação durante muito tempo.

Conselhos e advertências de segurança

- 1.** Leia atentamente este manual de instruções antes de ligar o aparelho e guarde-o para consultas futuras. A não observância e cumprimento destas instruções podem resultar em acidente.
- 2.** Este aparelho pode ser utilizado por pessoas não familiarizadas com a sua utilização, pessoas incapacitadas ou crianças a partir dos 8 anos, desde que o façam sob supervisão ou tenham recebido formação sobre a utilização segura do aparelho e compreendam os perigos que este acarreta.
- 3.** As crianças não devem realizar operações de limpeza ou manutenção do aparelho, a menos que se encontrem sob a supervisão de um adulto.
- 4.** Este aparelho não é um brinquedo. As crianças devem ser vigiadas para garantir que não brincam com o aparelho.
- 5.** Desligue o carregador de baterias da rede elétrica quando não o estiver a utilizar e antes de iniciar qualquer operação de limpeza.
- 6.** A bateria deve ser retirada do aparelho antes de se deitar fora.
- 7.** O aparelho deve ser desligado da corrente quando se for retirar a bateria
- 8.** A bateria deve ser eliminada de maneira segura.
- 9.** Se o cabo de alimentação estiver danificado, deve ser substituído pelo fabricante, pelo serviço

pós-venda ou por pessoal semelhante qualificado com o fim de evitar riscos.

10. Este aparelho foi concebido exclusivamente para uso doméstico, não para uso profissional ou industrial.

11. Utilize o aparelho somente com o carregador de corrente de específico, fornecido juntamente com o aparelho.

- Antes de ligar o carregador à rede elétrica, verifique se a tensão de corrente indicada na etiqueta das especificações coincide com a tensão de corrente da rede elétrica.
- Ligue o aparelho a uma tomada elétrica com ligação à terra e que suporte 10 amperes.
- A ficha do aparelho deve coincidir com a tomada de corrente eléctrica. Nunca modifique a ficha.
- Não use adaptadores de ficha.
- Não force o cabo elétrico. Nunca utilize o cabo elétrico para levantar, transportar ou desligar o carregador de baterias.
- Não enrole o cabo no aparelho.
- Não deixe que o cabo elétrico fique preso ou dobrado.

- Verifique o estado do cabo de elétrico. Os cabos danificados ou entrelaçados aumentam o risco de choque elétrico.
- Não toque na ficha de ligação com as mãos molhadas.
- Não utilize o aparelho se tiver o cabo elétrico ou a ficha danificada.
- Se algum dos revestimentos do aparelho se partir, desligue imediatamente o aparelho da corrente para evitar a possibilidade de sofrer um choque elétrico.
- Não utilize o aparelho se este caiu e se existirem sinais visíveis de danos ou de fuga.
- Evite qualquer contacto com o líquido que se pode desprender da bateria. Em caso de contacto accidental com os olhos, lave-os e consulte imediatamente um médico. O líquido derramado pela bateria pode provocar irritações ou queimaduras.

UTILIZAÇÃO E CUIDADOS

- Não utilize o aparelho se o(s) filtro(s) não estiver(em) corretamente colocados.
- Não utilize o aparelho se os acessórios não estiverem devidamente montados.
- Não utilize o aparelho para recolher água ou qualquer outro líquido.
- Não utilize o aparelho se o dispositivo de ligar/desligar não funcionar.

- Respeite a indicação do nível MAX (Fig.1).
- Este aparelho não está destinado a pessoas (incluindo crianças) que apresentem capacidades físicas, sensoriais ou mentais reduzidas, ou com falta de experiência e conhecimento
- Não utilize sobre áreas que contenham objetos metálicos, tais como grampos e/ou parafusos.
- Nunca aspire objectos incandescentes ou cortantes (beatas, cinzas, pregos, etc.)
- Nunca abra a(s) bateria(s) sob qualquer pretexto.
- Quando a(s) pilhas(s) ou bateria(s) não estiver(em) a ser utilizada(s), mantenha-a(s) afastada(s) de outros objectos metálicos, tais como, clips, moedas, chaves, etc., que possam ligar um pólo ao outro.
- Evite, assim, provocar um curto-circuito entre os terminais da bateria, já que existe risco de explosão ou incêndio.
- Não guarde o aparelho em locais onde a temperatura ambiente possa ser superior a 40°C.
- Utilize o aparelho apenas em tarefas de trabalho a seco.
- Nunca deixe o aparelho ligado e sem vigilância. Além disso, poupará energia e prolongará a vida do aparelho.
- Apenas recarregue a(s) bateria(s) com o carregador fornecido pelo fabricante. Um carregador que é adequado para um certo tipo de baterias pode originar risco de

explosão ou incêndio se for usado com outro tipo de bateria(s).

- Utilize o aparelho apenas com a(s) bateria(s) com a(s) qual(is) foi especificamente concebido.
- A utilização de outro tipo de bateria(s) pode apresentar risco de explosão ou incêndio.

Serviço

Qualquer utilização inadequada ou em desacordo com as instruções de utilização pode ser perigosa e anula a garantia e a responsabilidade do fabricante

Descrição

- A – Acessório 2 em 1
 - A1 – Escova para móveis
 - A2 – Lança
- B – Botão para remover o tanque
- C – Tanque de poeira
- D – Tubo de extensão
- E – Escova motorizada
 - E1 – Escova de cerdas para tapetes
 - E2 – Escova para piso duro
- F – Botão para remover a escova
- G – Ciclone e filtro
- H – Indicador de status da bateria
- I – Bateria
- J – Botão para remover a bateria
- K – Botão para remover acessórios/tubo de extensão
- L – Botão ligar / desligar
- M – Suporte de parede
- N – Fonte de energia

- Caso o seu modelo de aparelho não disponha dos acessórios descritos anteriormente, pode adquiri-los separadamente nos Serviços de Assistência Técnica.

Instalação

- Retire todo material de embalagem do interior do aparelho.
- Certifique-se de que a bateria está bem colocada. (Fig.2).

MONTAGEM DO SUPORTE DE PAREDE

- O aparelho dispõe de um suporte de parede (M), a qual deve ser fixada à parede.
- Fixe o suporte de parede da maneira que considerar mais adequada através de placas, parafusos e cola...
- Assegure-se de que o suporte é capaz de aguentar, pelo menos, o dobro do peso do aparelho.
- Encaixe o aparelho no seu suporte de parede.

CARREGAR DA BATERIA

- **Advertência:** Uma bateria nova não vem com a carga completa, pelo que deve ser carregada até ao máximo antes de se utilizar o aparelho pela primeira vez.
- Carregue a bateria à temperatura ambiente, entre 4 e 40°C.
- Ligue o carregador (N) à corrente elétrica.

- O tempo necessário para a carga completa é cerca de 3 a 4 horas aproximadamente.
- Nunca sobrecarregue as baterias (recomenda-se apenas que o primeiro carregamento seja feito durante 5 horas seguidas).
- Ligue o conector do carregador à tomada do aparelho, localizada na parte superior da alça do aparelho (fig. 3).
- Enquanto a bateria estiver carregando, a luz indicadora acenderá indicando que o carregador está carregando a bateria.
- Remova a bateria do carregador após o tempo especificado.
- Após a conclusão do carregamento, desconecte o carregador da rede elétrica.
- **Nota:** Não use o aparelho enquanto estiver conectado ao carregador.

SUBSTITUIÇÃO DA ESCOVA MOTORIZADA

- Na parte inferior do sapato, pressione o botão para soltar o pincel. (Fig. 10).
- Escolha o pincel de acordo com as necessidades da associação:
- E1 Escova de cerdas para tapetes
- E2 Escova de piso dura

Modo de utilização

NOTAS PARA ANTES DA UTILIZAÇÃO

- Antes de utilizar o produto pela primeira vez é importante deixar a bateria carregar completamente.
- Prepare o aparelho consoante a função pretendida.

FUNÇÃO DE SUÇÃO

- Ligue o tubo à entrada de ar do aspirador e o sapato na extremidade do tubo de extensão (D).
- Para retirar o tubo de extensão do aspirador, pressione o botão de liberação do acessório (K) e puxe para fora. (Fig. 4).

USAR

- Ligue o aparelho pressionando o botão Iniciar / Parar (L).
- A luz indicadora do sapato e o indicador da bateria acenderão.

INSERÇÃO DE UM DE ACESSÓRIO NO ASPIRADOR DE MÃO OU NO TUBO TELESCÓPICO

- O aspirador de mão e o tubo telescópico estão projetados de forma a permitirem a inserção dos seguintes acessórios: (utilize a combinação que melhor se adapte às necessidades). (Fig.5).
- Acessório 2 em 1:
- A1 Escova para móveis
- A2 Lança

UMA VEZ CONCLUÍDA A UTILIZAÇÃO DO APARELHO

- Pare o aparelho, soltando o botão liga/desliga ou destravando o botão (deslize para baixo).
- Retire as pilhas ou baterias do aparelho no caso de não o utilizar durante longos períodos de tempo.
- Limpe o aparelho.

Limpeza

- Desligue o carregador da rede elétrica e deixe-o arrefecer antes de iniciar qualquer operação de limpeza.
- Limpe o aparelho com um pano húmido com algumas gotas de detergente e seque-o de seguida.
- Não utilize solventes, produtos com um fator pH ácido ou básico como a lixívia, nem produtos abrasivos para a limpeza do aparelho.
- Nunca mergulhe o aparelho dentro de água ou em qualquer outro líquido, nem o coloque debaixo da torneira

ESVAZIAR O DEPÓSITO DE PÓ

- Esvazie o depósito de pó quando, através das suas paredes transparentes, verificar que se encontra cheio ou sempre que se produzir uma redução importante da potência de aspiração do aparelho.
- Desencaixe os acessórios da entrada de ar do aspirador. (Fig.6).
- Desencaixe o depósito premindo o botão (B), retire o ciclone do

depósito e esvazie o pó do depósito. (Fig.7)

LIMPEZA DO FILTRO

- Desencaixe os acessórios da entrada de ar do aspirador. (Fig.6).
- Desencaixe o depósito premindo o botão (B), retire o ciclone do depósito e esvazie o pó. (Fig.8).
- Retirar o filtro do seu compartimento (Fig.9).
- Proceda de maneira inversa ao explicado no ponto anterior para montar o filtro.
- **IMPORTANTE:** Os filtros podem ser limpos com água fria, mas tem de secar durante 24 horas, no mínimo, antes de os voltar a utilizar.
- Filtro do depósito tipo HEPA (filtro de ar eficiente que retém esporos, cinzas, ácaros, pólen, etc.), recomenda-se verificar periodicamente o estado do filtro e substituí-lo a cada 50 horas de utilização.

LIMPEZA DE ESCOVAS

- Gire o botão rotativo situado na parte inferior do bocal para a esquerda para soltar a escova. (Fig.10).
- Limpe a escova com a ajuda de uma tesoura.
- Para tornar a montar, proceda de maneira inversa ao explicado nos pontos anteriores.

CONSUMÍVEIS

- Os consumíveis (filtros, etc.) para o seu modelo de aparelho poderão

ser adquiridos nos distribuidores e estabelecimentos autorizados.

- Utilize sempre consumíveis de origem, concebidos especificamente para o seu modelo de aparelho.

Anomalias e reparação

Em caso de avaria leve o aparelho a um Serviço de Assistência Técnica autorizado. Não tente desmontar ou reparar o aparelho, já que tal acarreta perigos.

Para as versões EU do produto e/ou caso aplicável no seu país:

ECOLOGIA E RECICLAGEM E DO PRODUTO

- Os materiais que constituem a embalagem deste aparelho estão integrados num sistema de recolha, classificação e reciclagem. Se desejar eliminá-los, utilize os contentores de reciclagem colocados à disposição para cada tipo de material.
- O produto está isento de concentrações de substâncias que possam ser consideradas nocivas para o ambiente.



- Este símbolo significa que se desejar desfazer-se do produto depois de terminada a sua vida útil, deve entregá-lo através dos meios

adequados ao cuidado de um gestor de resíduos autorizado para a recolha seletiva de Resíduos de Equipamentos Eléctricos e Eletrónicos (REEE).



- Este símbolo significa que o produto pode conter pilhas ou baterias no seu interior, as quais devem ser retiradas antes de se desfazer do produto. Lembre-se que as pilhas/baterias devem ser depositadas em contentores especiais autorizados. E que nunca devem ser colocadas no fogo.

COMO RETIRAR AS BATERIAS DO INTERIOR DO APARELHO

- **Advertência:** É importante que as baterias estejam completamente descarregadas antes de as retirar do aparelho.
- **Advertência:** o aparato deve ser desligado da corrente antes de se retirarem as baterias. Uma vez terminada a vida útil do aparelho, proceda da seguinte forma para remover as baterias: Prima os botões para extrair a bateria do seu alojamento.. (Fig.11).

Este aparelho cumpre a Diretiva 2014/35/EU de Baixa Tensão, a Diretiva 2014/30/EU de Compatibilidade Eletromagnética, a Diretiva 2011/65/EU sobre restrições sobre restrições à utilização de determinadas substâncias perigosas em

aparelhos elétricos e eletrónicos e a Diretiva 2009/125/CE sobre os requisitos de design ecológico aplicável aos produtos relacionados com a energia.

Garantia e assistência técnica

Este produto possui reconhecimento e proteção da garantia legal em conformidade com a legislação em vigor. Para fazer valer os seus direitos ou interesses, deve recorrer sempre aos nossos serviços de assistência técnica oficiais. Poderá encontrar o mais próximo de si através do seguinte website: www.mellerware.com Pode também solicitar informação relacionada contactando-nos para o número de telefone que aparece no final deste manual. Pode fazer o download deste manual de instruções e suas atualizações em www.mellerware.com

As informações a seguir se referem à rotulagem energética e ao design ecológico:

Marca comercial e endereço	ENGINEERING AND TECHNOLOGY FOR LIFE, S.L. Av. Barcelona, s/n, 25790 Oliana, Lleida, Spain
Modelo	WHOOSHY Wireless Black (ver I)
Tensão de entrada	100-240 V
Frequência CA de entrada	50/60 Hz
Tensão de saída	26,0VDC
Corrente de saída	0,45 A
Potência de saída	11,7 W
Eficiência ativa média	85,97% fornecido em 230V 50Hz
Eficiência em baixa carga (10%)	77,18% fornecido em 230V 50Hz
Consumo de energia sem carga	0,086W fornecido em 230V 50Hz

Para estabelecer a conformidade com os requisitos de concepção ecológica e para o cálculo dos parâmetros de rotulagem energética, o aparelho é utilizado como referência a norma europeia EN 50563.

Sehr geehrte Kunden,

Wir danken Ihnen für Ihre Entscheidung, ein Mellerware Gerät zu kaufen.

Technologie, Design und Funktionalität dieses Gerätes, in Kombination mit der Erfüllung der strengsten Qualitätsnormen, werden Ihnen lange Zeit viel Freude bereiten.

Ratschläge und Sicherheitshinweise

- 1.** Lesen Sie die Gebrauchsanweisung sorgfältig, bevor Sie das Gerät einschalten und bewahren Sie diese zum Nachschlagen zu einem späteren Zeitpunkt auf. Werden die Hinweise dieser Bedienungsanleitung nicht beachtet und eingehalten, kann es zu Unfällen kommen
- 2.** Personen, denen es an Wissen im Umgang mit dem Gerät mangelt, geistig behinderte Personen oder Kinder ab 8 Jahren dürfen das Gerät nur unter Aufsicht oder Anleitung über den sicheren Gebrauch des Gerätes benutzen, sofern sie die von dem Gerät ausgehenden Gefahren verstehen.
- 3.** Kinder dürfen keine Reinigungs- oder Instandhaltungsarbeiten am Gerät ausführen, sofern sie nicht von einem Erwachsenen beaufsichtigt werden.
- 4.** Dieses Gerät ist kein Spielzeug. Kinder müssen beaufsichtigt werden, damit sie nicht mit dem Gerät spielen.
- 5.** Ziehen Sie den Stecker heraus und lassen Sie das Gerät abkühlen, bevor Sie mit der Reinigung beginnen.
- 6.** Vor dem Entsorgen des Geräts bitte die Batterie entnehmen.
- 7.** Beim Entnehmen der Batterie darf das Gerät nicht ans Netz geschlossen sein.
- 8.** Die Batterie muss den geltenden Vorschriften entsprechend entsorgt werden.
- 9.** Wenn das Netzkabel beschädigt ist, muss es aus Sicherheitsgründen vom Kundendienst des Herstellers oder einem

entsprechenden Fachmann ersetzt werden.

10. Dieser Apparat dient ausschließlich für Haushaltszwecke und ist für professionellen oder gewerblichen Gebrauch nicht geeignet.

11. Benutzen Sie das Gerät nur mit dem spezifischen mitgelieferten Netzteil.

- Vergewissern Sie sich, dass die Spannung auf dem Typenschild mit der Netzspannung übereinstimmt, bevor Sie den Apparat an das Stromnetz anschließen.
- Das Gerät an ein Stromnetz mit mindestens 10 Ampere anschließen.
- Der Netzstecker des Batterieladegerätes ist in eine entsprechende Steckdose zu stecken. Der Gerätestecker darf unter keinen Umständen modifiziert werden. Keine Adapter für den Stecker verwenden.
- Nicht mit Gewalt am elektrischen Anschlusskabel ziehen. Elektrische Kabel dürfen nicht zum Anheben, Transportieren oder Ausstecken des Geräts benützt werden.
- Kabel nicht um das Gerät rollen.
- Achten Sie darauf, dass das elektrische Kabel nicht getreten oder zerknittert wird.
- Überprüfen Sie den Zustand des elektrischen Verbindungskabels.

Beschädigte oder verwickelte Kabel erhöhen das Risiko von elektrischen Schlägen.

- Berühren Sie den Stecker nicht mit feuchten Händen.
- Das Gerät darf nicht mit beschädigtem elektrischem Kabel oder Stecker verwendet werden.
- Sollte ein Teil der Geräteverkleidung beschädigt sein, ist die Stromzufuhr umgehend zu unterbrechen, um einen möglichen elektrischen Schlag zu vermeiden.
- Das Gerät nicht benutzen, wenn es heruntergefallen ist, sichtbare Schäden aufweist oder undicht ist.
- Vermeiden Sie den Kontakt mit aus dem Akku ausgelaufenen Flüssigkeiten. Falls Ihre Augen dennoch mit diesen in Kontakt kommen, spülen Sie sie mit viel klarem Wasser und suchen Sie einen Arzt auf. Die ausgelaufene Akkufflüssigkeit kann zu Reizungen oder Verbrennungen führen.

BENUTZUNG UND PFLEGE

- Das Gerät nicht ohne richtig eingesetzte/n Filter benutzen.
- Gerät nicht benutzen, wenn Zubehör oder Ersatzteile nicht richtig befestigt sind.
- Niemals mit dem Gerät Wasser oder andere Flüssigkeiten aufsaugen.
- Benützen Sie das Gerät nicht, wenn der An-/Ausschalter nicht funktioniert.
- Beachten Sie die MAX-Füllstandsanzeige (Abb. 1).

- Das Gerät außerhalb der Reichweite von Kindern und/oder Personen mit eingeschränkten körperlichen, sensorischen oder geistigen Fähigkeiten bzw. Personen ohne ausreichende Erfahrung und Kenntnisse aufbewahren.
- Saugen Sie keine Flächen, auf denen Metallgegenstände wie Nägel und / oder Schrauben liegen.
- Saugen Sie niemals glühende oder scharfe Objekte (Zigarettenkippen, Asche, Nägel...) auf.
- Die Batterie/n dürfen in keinem Fall geöffnet werden.
- Halten Sie nichtbenutzte Batterien von Gegenständen aus Metall wie Büroklammern, Münzen etc. fern, die den einen Pol mit dem anderen verbinden könnten.
- Vermeiden Sie, einen Kurzschluss zwischen den Batteriekontakten zu erzeugen, da Explosions- oder Brandgefahr besteht.
- Bewahren Sie die Batterie/n an einem Ort auf, wo die Temperatur nicht über 40°C steigen kann.
- Benutzen Sie das Gerät nur in trockenen Arbeitsbereichen.
- Das Gerät nie am Stromnetz angeschlossen und ohne Aufsicht lassen. Sie sparen dadurch Energie und verlängern die Gebrauchsdauer des Gerätes.
- Laden Sie den/die Akku/s ausschließlich mit dem vom Hersteller gelieferten Ladegerät. Beim Gebrauch eines Ladegerätes, das für einen bestimmten Akkutyp entworfen wurde, besteht bei der

Verwendung mit anderen Akkus Explosions- oder Brandgefahr.

- Benutzen Sie nur die speziell für das Gerät entworfenen Akkus. Beim Gebrauch von anderen Akkus besteht Explosions- oder Brandgefahr.

Betrieb

Unsachgemäße Verwendung bzw. Nichteinhaltung der Gebrauchsanweisung kann Gefahren zur Folge haben und führt zum Erlöschen der Garantieansprüche sowie der Haftung des Herstellers.

Bezeichnung

- A – 2 in 1 Zubehörtel
 - A1 – Möbel- und Polsterbürste
 - A2 – Lanze
- B – Taste zum Entfernen des Tanks
- C – Staubbehälter
- D – Verlängerungsrohr
- E – Motorbürste
 - E1 – Borstenbürste für Teppiche
 - E2 – Harte Bodenbürste
- F – Taste zum Loslassen der Bürste
- G – Zyklon und Filter
- H – Batterie
- I – Batteriestatusanzeige
- J – Taste zum Entfernen der Batterien
- K – Taste zum Entfernen von Zubehör/Verlängerungsrohr
- L – An/aus Schalter
- M – Wandhalterung
- N – Ladegerät

- Wenn Sie meinen, dass das Gerät nicht mit dem oben angeführten Zubehör ausgestattet ist, können Sie die Teile auch einzeln beim Technischen Kundendienst erwerben.

Aufstellung

- Vergewissern Sie sich, dass Sie das gesamte Verpackungsmaterial des Produkts entfernt haben.
- Vergewissern Sie sich, dass die Batterie richtig eingesetzt ist. (Fig. 2)

MONTAGE DER WANDHALTERUNG

- Das Gerät verfügt über eine Ladestation (M), die an der Wand befestigt werden muss.
- Befestigen Sie die Wandhalterung in der geeignetsten Form mit Dübeln, Schrauben, Klebemitteln, etc.
- Überprüfen Sie, ob die Halterung gut befestigt ist und mindestens das doppelte Gewicht des Geräts tragen kann.
- Setzen Sie das Gerät in die Wandhalterung.

AUFLADUNG DER BATTERIE

- **Warnung:** Eine neue Batterie ist nicht vollständig aufgeladen. Deshalb ist sie vor der ersten Inbetriebnahme des Gerätes vollständig aufzuladen.
- Die Batterie bei Zimmertemperatur zwischen 4 und 40°C aufladen
- Die Stromquelle (N) an das Netz anschliessen.

- Das Aufleuchten einer Kontrolllampe zeigt an, dass das Ladegerät bereit ist, mit dem Laden des Akkus zu beginnen.
- Ein vollständiger Ladevorgang ca. dauert 3 bis 4 Stunden. Vermeiden Sie eine Überladung der Batterien (dennoch wird für die erste Aufladung eine Ladezeit von 5 Stunden empfohlen).
- Den Stecker des Ladegerätes in die Steck-vorrichtung des Gerätes an der hinteren Seite stecken. (Fig.3)
- Beim Aufladen der Batterie leuchtet die Lade-anzeige rot auf und zeigt an, dass das Ladegerät in Betrieb ist.
- Nach Anlauf der angegebenen Zeit die Batterie aus dem Ladegerät nehmen.
- Ist der Ladevorgang abgeschlossen, ist das Ladegerät vom Stromnetz zu trennen.
- **Anmerkung:** Das Gerät nicht verwenden, wenn es am Akku angeschlossen ist.

AUSTAUSCH DER MOTORBETRIEBENEN BÜRSTE

- Am unteren Teil des Saugaufsatzes muss die Taste zum Lösen der Bürste gedrückt werden. (Fig.10).
- Die Bürste gemäss der Saugbedürfnisse aus-wählen:
 - E1 Borstenbürste für Teppiche
 - E2 Harte Bodenbürste

Benutzungshinweise

VOR DER BENUTZUNG

- Es ist wichtig, dass Sie die Batterien vollständig aufladen, bevor Sie das Gerät zum ersten Mal in Betrieb nehmen.
- Das Gerät für die von Ihnen bestimmte Funktion vorbereiten.

SAUGFUNKTION

- Das Rohr an die Lufteingangsöffnung des Saugers anschließen und den Saugaufsatz auf das Ende des Teleskoprohres (D).
- Um das Teleskoprohr herauszunehmen, betätigen Sie bitte die Taste für Zubehör (K) und ziehen es dann heraus. (Fig.4).

BENUTZUNG

- Stellen Sie das Gerät an, indem Sie den An-/Ausschalter betätigen. (L)
- Die Anzeigeleuchte des Saugaufsatzes und die Batteriestandsanzeige leuchten.

ANBRINGEN VON ZUBEHÖR AM HANDSTAUBSAUGER ODER AM TELESKOPROHR

- Der Handstaubsauger bzw. das Teleskoprohr sind so gestaltet, dass folgendes Zubehör an-gebracht werden kann: (benutzen Sie jeweils die Kombination, die Ihren Anforderungen am besten entspricht). (Fig.5).
- Anwendung 2 in 1:
- A1 Möbel- und Polsterbürste
- A2 Lance

NACH DER BENUTZUNG DES GERÄTS

- Stellen Sie das Gerät mit dem An-/Ausschalter ab. (L)
- Nehmen Sie die Batterien aus dem Fach, wenn Sie das Gerät längere Zeit nicht benutzen werden.
- Reinigen Sie das Gerät.

Reinigung

- Ziehen Sie den Stecker heraus und lassen Sie das Gerät abkühlen, bevor Sie mit der Reinigung beginnen.
- Reinigen Sie das Gerät mit einem feuchten Tuch, auf das Sie einige Tropfen Reinigungsmittel geben und trocknen Sie es danach ab.
- Verwenden Sie zur Reinigung des Geräts weder Löse- oder Scheuermittel noch Produkte mit einem sauren oder basischen pH-Wert wie z.B. Lauge.
- Das Gerät nicht in Wasser oder andere Flüssigkeiten tauchen und nicht unter den Wasserhahn halten.

LEEREN DES STAUBBEHÄLTERS

- Den Staubbehälter entleeren, sobald Sie durch dessen durchsichtige Wände erkennen, dass er voll ist, oder wenn sie eine spürbare Verminderung der Saugleistung bemerken.
- Zubehörteile vom Lufteintritt des Staubsaugers abnehmen. (Fig.6).
- Den Behälter durch Drücken der Taste (B) lösen, den Zyklonfilter aus

dem Behälter nehmen und den Staubbehälter leeren. (Fig.7)

REINIGUNG DER FILTER

- Zubehörteile vom Lufteintritt des Staubsaugers abnehmen. (Fig.6).
- Den Behälter durch Drücken der Taste (B) lösen, den Zyklonfilter und den Filter aus dem Behälter nehmen. (Fig.8).
- Entnehmen Sie den Filter (Fig.9).
- Zur Montage des Filters führen Sie die oben genannten Schritte in umgekehrter Reihenfolge durch.
- **WICHTIG:** Die Filter können mit kaltem Wasser gereinigt werden, sie müssen jedoch mindestens 24 Stunden trocknen, bevor sie wiederverwendet werden können.
- EPA-Filter (effizienter Luftfilter, der Sporen, Asche, Milben, Pollen... auffängt), der Zustand des Filters sollte regelmässig überprüft werden und alle 50 Gebrauchsstunden ausgetauscht werden.

BÜRSTENREINIGUNG

- Am unteren Teil des Saugaufsatzes muss die Taste zum Lösen der Bürste gedrückt werden. (Fig.10).
- Reinigen Sie die Bürste mithilfe einer Schere.

ERSATZTEILE

- Bei Vertretern und offiziellen Verkaufsstellen für Ersatzteile (wie Filter,...) für das entsprechende Modell.
- Verwenden Sie stets für Ihr Gerät geeignete Originalteile.

Störungen und reparatur

Bei Schäden und Störungen bringen Sie das Gerät zu einem zugelassenen Technischen Kundendienst. Versuchen Sie nicht, das Gerät selbst auseinanderzubauen und zu reparieren. Das könnte Gefahren zur Folge haben.

Für die EU-Ausführungen des Produkts und/oder für Länder, in denen diese Vorschriften Anzuwenden sind:

ÖKOLOGIE UND RECYCLING DES PRODUKTS

- Die zur Herstellung des Verpackungsmaterials dieses Geräts verwendeten Materialien sind im Sammel-, Klassifizierungs- und Recyclingsystem integriert. Wenn Sie es entsorgen möchten, so können Sie die öffentlichen Container für die betreffenden Materialarten verwenden.
- Das Produkt ist frei von umweltschädlichen Konzentrationen von Substanzen.



- Dieses Symbol weist darauf hin, dass das Produkt, wenn Sie es am Ende seiner Lebensdauer entsorgen wollen, in geeigneter

Weise bei einer zugelassenen Entsorgungsstelle abzugeben ist, um die getrennte Sammlung von

Elektro- und Elektronikgeräte-Abfall (WEEE) sicherzustellen.



- Dieses Symbol bedeutet, dass das Produkt Batterien beinhalten kann, die vor der Entsorgung entnommen

werden sollen. Beachten Sie, dass die Batterien in dafür geeigneten Containern entsorgt werden sollen. Und nicht ins Feuer geworfen werden dürfen.

Dieses Gerät erfüllt die Richtlinie 2014/35/EU über Niederspannung, die Richtlinie 2014/30/EU über elektromagnetische Verträglichkeit, die Richtlinie 2011/65/EU zur Beschränkung der Verwendung bestimmter gefährlicher Stoffe in Elektro- und Elektronikgeräten und die Richtlinie 2009/125/EC über die Anforderungen an die umweltgerechte Gestaltung energiebetriebener Produkte.

Garantie und technischer Service

Dieses Produkt wird gemäss der geltenden Gesetzgebung durch die rechtliche Garantie anerkannt und geschützt. Um Ihre Rechte und Interessen geltend zu machen, müssen Sie eines unserer offiziellen Servicezentren aufsuchen. Über folgenden Link finden Sie ein Servicezentrum in Ihrer Nähe: www.mellerware.com

Sie können auch Informationen einholen, indem Sie uns unter der

am Ende dieses Handbuches angegebenen Telefonnummer anrufen. Sie können dieses Benutzerhandbuch und seine Aktualisierungen unter www.mellerware.com

Nachfolgende Information bezieht sich auf die Energiekennzeichnung und das Ökodesign:

Marke und Anschrift	ENGINEERING AND TECHNOLOGY FOR LIFE, S.L. Av. Barcelona, s/n, 25790 Oliana, Lleida, Spain
Modell	WHOOSHY Wireless Black (ver I)
Eingangsspannung	100-240 V
Eingangwechselstromfrequenz	50/60 Hz
Ausgangsspannung	26,0VDC
Ausgangsstrom	0,45 A
Ausgangsleistung	11,7 W
Durchschnittliche Effizienz im Betrieb	85,97% werden bei 230V und 50Hz geliefert.
Effizienz bei geringer Last (10%)	77,18% werden bei 230V und 50Hz geliefert.
Leistungsaufnahme bei Null-last	0,086 W bei 230V 50Hz geliefert

Grundlage für die Feststellung der Erfüllung der Anforderungen des Ökodesigns und die Berechnung der Parameter für die Energieeffizienz-Etikettierung ist die Europäische Norm EN 50563.

Gentile Cliente:

Le siamo grati per aver acquistato un elettrodomestico della marca Mellerware.

La sua tecnologia, il suo design e la sua funzionalità, oltre al fatto di aver superato le più rigorose norme di qualità, le assicureranno una totale soddisfazione durante molto tempo.

Consigli e avvertimenti di sicurezza

- 1.** Prima di utilizzare l'apparecchio, leggere attentamente le istruzioni riportate nel presente opuscolo e conservarlo per future consultazioni. La mancata osservanza delle presenti istruzioni può essere causa di incidenti.
- 2.** Questo apparato può essere utilizzato da persone che non ne conoscono il funzionamento, persone disabili o bambini di età superiore agli 8 anni, ma esclusivamente sotto la sorveglianza di un adulto o nel caso abbiano ricevuto le dovute istruzioni per utilizzarlo in completa sicurezza e ne comprendano i rischi.
- 3.** I bambini possono eseguire operazioni di pulizia o di manutenzione dell'apparecchio solo se sorvegliati da un adulto.
- 4.** Questo apparecchio non è un giocattolo. Assicurarsi che i bambini non giochino con l'apparecchio.
- 5.** Staccare il caricatore di batterie dalla presa di corrente quando l'apparecchio non è in uso e prima di compiere qualsiasi operazione di pulizia.
- 6.** La batteria deve essere rimossa dall'apparecchio prima di essere smaltita.
- 7.** Quando si rimuova la batteria, l'apparecchio deve essere scollegato dalla rete di alimentazione.
- 8.** La batteria deve essere smaltita in modo sicuro.
- 9.** Se il cavo di alimentazione è danneggiato farlo sostituire dal

produttore, da un servizio di assistenza post-vendita o da personale qualificato per evitare pericoli.

10. Questo apparecchio è destinato unicamente all'uso domestico, non professionale o industriale.

11. Utilizzare l'apparecchio solamente con la specifica fonte di alimentazione, in dotazione con l'apparecchio.

- Prima di collegare il caricabatterie alla rete, verificare che il voltaggio indicato sulla targhetta delle caratteristiche corrisponda al voltaggio della rete.
- Collegare l'apparecchio a una presa di corrente che sopporti come minimo 10 ampere.
- La spina del caricabatterie deve coincidere con la base elettrica della presa di corrente. Non apportare alcuna modifica alla spina. Non usare adattatori.
- Non tirare il cavo elettrico.
- Non usarlo mai per sollevare, trasportare o scollegare il caricabatterie.
- Non avvolgere il cavo di alimentazione attorno all'apparecchio.
- Non lasciare che il cavo rimanga impigliato o attorcigliato.
- Controllare lo stato del cavo di alimentazione: I cavi danneggiati o attorcigliati aumentano il rischio di scariche elettriche.
- Non toccare mai la spina con le mani bagnate.
- Non utilizzare l'apparecchio se il cavo di alimentazione o la spina sono danneggiati.
- In caso di rottura di una parte dell'involucro esterno dell'apparecchio, scollegare immediatamente la spina dalla presa di corrente, al fine di evitare eventuali scariche elettriche.
- Non usare l'apparecchio dopo una caduta, se presenta danni visibili o in presenza di qualsiasi perdita.
- Evitare qualsiasi contatto con il liquido che può fuoriuscire dalla batteria. In caso di contatto accidentale con gli occhi, rivolgersi a un medico. Il liquido che fuoriesce dalla batteria può provocare irritazioni o ustioni.

PRECAUZIONI D'USO

- Non utilizzare l'apparecchio se il/i filtro/i non sono collocati correttamente.
- Non utilizzare l'apparecchio se gli accessori non sono correttamente montati.
- Non usare l'apparecchio per aspirare acqua o altri liquidi.
- Non utilizzare l'apparecchio se il suo dispositivo di accensione/spegnimento non funziona.

- Osservare l'indicazione del livello MAX (Fig. 1).
- Conservare questo apparecchio fuori dalla portata dei bambini e/o persone con problemi fisici, mentali o di sensibilità o con mancanza di esperienza e conoscenza
- Non utilizzare in aree in cui vi siano oggetti metallici quali chiodi e/o viti.
- Non aspirare mai oggetti incandescenti o taglienti (mozziconi, cenere, chiodi, ecc.)
- Non aprire la/e batteria/e per nessun motivo.
- Quando la batteria non è in uso, tenerla lontana da altri oggetti metallici quali fermacarte, monete, chiavi, ecc., che possano fungere da collegamento fra i due poli.
- Evitare di provocare un cortocircuito fra i poli della batteria, giacché potrebbe derivare in un pericolo di esplosione o incendio.
- Custodire la/e batteria/e in luoghi dove la temperatura non superi i 40 °C.
- Utilizzare l'apparecchio unicamente su aree di lavoro asciutte.
- Non lasciare mai l'apparecchio collegato alla rete elettrica e senza controllo. Si risparmierà inoltre energia e si prolungherà la vita dell'apparecchio stesso.
- Ricaricare la/e batteria/e solo con il caricatore fornito dal fabbricante.
- Un caricatore adatto per un tipo di batterie, potrebbe provocare un

rischio di esplosione o incendio se usato con altre.

- Usare l'apparecchio solo con la/e batteria/e per le quali è stato specificamente progettato. L'uso di qualunque altra batteria può provocare un rischio di esplosione o incendio.

Servizio

Il produttore invalida la garanzia e declina ogni responsabilità in caso di uso inappropriato dell'apparecchio o non conforme alle istruzioni d'uso.

Descrizione

- A – Accessorio 2 in 1
 - A1 – Spazzola per mobili e tappezzeria
 - A2 – Lancia
- B – Pulsante per rimuovere il serbatoio
- C – Serbatoio polvere
- D – Tubo di prolunga
- E – Spazzola motorizzata
 - E1 – Spazzola per setole per moquette e tappeti
 - E2 – Spazzola per pavimenti duri
- F – Pulsante di rilascio del pennello
- G – Ciclone e filtro
- H – Indicatore di stato della batteria
- I – Batteria
- J – Pulsante per rimuovere le batterie

- K – Pulsante per rimuovere accessori /tubo di prolunga
 - L – Tasto ON / OFF
 - M – Supporto a parete
 - N – Alimentazione elettrica
- Se il modello del Suo apparecchio non fosse dotato degli accessori anteriormente elencati, può acquistarli separatamente presso i punti di assistenza tecnica autorizzati.

Installazione

- Accertarsi di aver tolto tutto il materiale d’imballaggio dall’apparecchio.
- Assicurarsi che la batteria sia ben posizionata. (Fig. 2)

MONTAGGIO DEL SUPPORTO A PARETE

- L’apparecchio ha in dotazione una base di carica (M), che deve essere fissata alla parete.
- Fissare il supporto a muro nel modo che si ritenga più adeguato, mediante tasselli, viti, adesivi...
- Verificare che il supporto sia fissato in modo tale da poter sorreggere almeno il doppio del peso dell’apparecchio.
- Inserire l’apparecchio nel supporto.

CARICA DELLA BATTERIA

- **Avvertenza:** Una batteria nuova non è fornita con carica completa e deve essere caricata al massimo

prima di utilizzare l’apparecchio per la prima volta.

- Caricare la batteria a temperatura ambiente fra 4 e 40°C.
- Collegare il caricatore (N) alla rete elettrica.
- Si accenderà una spia luminosa indicando che il caricatore è pronto per iniziare la ricarica della batteria.
- Il tempo necessario per una ricarica completa è di 3 a 4 ore circa. Non cercare mai di sovraccaricare le batterie (ad ogni modo si consiglia di realizzare la prima carica per 5 ore).
- Inserire il connettore del caricatore nella presa di corrente dell’apparecchio, situata nella parte posteriore... (Fig. 3).
- Mentre la batteria si sta caricando, la spia rimane accesa, indicando che il caricatore è avviato.
- Trascorso il tempo specificato, ritirare la batteria dal caricatore.
- Al termine della ricarica scollegare il caricatore dalla rete elettrica.
- **Nota:** Non utilizzare l’apparecchio quando il caricatore è collegato alla rete elettrica.

CAMBIO DELLA SPAZZOLA MOTORIZZATA

- Nella parte inferiore della base, premere il tasto per sganciare la spazzola. (Fig.10).
- Scegliere la spazzola in base alle necessità di aspirazione:
- E1 Spazzola con setole per tappeti e moquette

- E2 Spazzola per pavimenti duri

Modalità d'uso

PRIMA DELL'USO

Prima di utilizzare il prodotto per la prima volta, è importante effettuare una ricarica completa delle batterie.

USO

- Per avviare l'apparecchio, tenere premuto il pulsante di accensione/spengimento (A).
- Preparare l'apparecchio secondo la funzione che si desidera realizzare.

FUNZIONE ASPIRAZIONE

- Inserire il tubo nell'entrata dell'aspirapolvere e la spazzola alla fine del tubo estensibile (D).
- Per disinserire il tubo estensibile dall'aspirapolvere, premere il tasto per estrarre gli accessori (K) e tirare in senso contrario. (Fig.4).

USO

- Avviare l'apparecchio azionando il tasto accensione/spengimento. (L)
- La spia luminosa della spazzola e l'indicatore della batteria si illumineranno.

INSERIMENTO DI UN ACCESSORIO NELL'ASPIRAPOLVERE A MANO O NEL TUBO ESTENSIBILE

- L'aspirapolvere a mano o il tubo estensibile sono progettati per consentire l'inserimento dei

seguenti accessori: (usare la combinazione di accessori più adatta alle proprie esigenze). (Fig.5).

- Accessorio 2 in 1:
- A1 Spazzola per mobili e tappezzeria.
- A2 Lancia

UNA VOLTA CONCLUSO L'UTILIZZO DELL'APPARECCHIO

- Spegnerne l'apparecchio premendo il pulsante di accensione/spengimento. (L)
- Rimuovere le pile o batterie dall'apparecchio se non lo si utilizza per un lungo periodo.
- Pulire l'apparecchio.

Pulizia

- Disinserire il caricatore elettrico dalla rete elettrica ed aspettare che si raffreddi prima di eseguirne la pulizia.
- Pulire il gruppo elettrico con un panno umido, quindi asciugarlo.
- Per la pulizia non impiegare solventi o prodotti a pH acido o basico come la candeggina, né prodotti abrasivi.
- Non immergere l'apparecchio in acqua o altri liquidi, né lavarlo con acqua corrente.

SVUOTAMENTO DEL SERBATOIO DELLA POLVERE

- Svuotare il serbatoio della polvere se si nota, guardando attraverso le sue pareti trasparenti, che è pieno

o quando si verifica una riduzione significativa della potenza di aspirazione dell'apparecchio.

- Smontare gli accessori dall'entrata dell'aria dell'aspirapolvere. (Fig. 6).
- Rimuovere il serbatoio premendo il tasto (B), estrarre il ciclone e svuotare il serbatoio dalla polvere. (Fig. 7)

PULIZIA DEL FILTRO

- Scollegare gli accessori dall'ingresso dell'aria dell'aspirapolvere. (Fig. 6).
- Scollegare il serbatoio premendo il pulsante (B), rimuovere il ciclone dal serbatoio e dal filtro. (Fig.8)
- Rimuovere il filtro dalla sua sede (Fig. 9).

Per montare il filtro, procedere in ordine inverso a quello spiegato nella sezione precedente.

- **IMPORTANTE:** i filtri possono essere puliti con acqua fredda, ma devono essere lasciati asciugare per almeno 24 ore prima di riutilizzarli.
- Filtro serbatoio EPA di tipo EPA (efficiente filtro dell'aria che trattiene spore, ceneri, acari, polline ...), si consiglia di controllare periodicamente lo stato del filtro, sostituito ogni 50 ore di utilizzo.

PULIZIA DELLA SPAZZOLA

- Nella parte inferiore della scarpa, premere il pulsante per sbloccare il pennello. (Fig. 10).
- Pulisci il pennello con l'aiuto delle forbici.

MATERIALI DI CONSUMO

- I materiali di consumo (come filtri, ...) per il suo modello di apparecchio potranno essere acquistati presso i distributori e stabilimenti autorizzati
- Usare sempre materiali di consumo originali, disegnati specificatamente per il suo modello di apparecchio.

Anomalie e riparazioni

In caso di guasto, rivolgersi ad un Centro d'Assistenza Tecnica autorizzato. Non tentare di smontare o di riparare l'apparecchio: può essere pericoloso.

Per i prodotti dell'Unione Europea e/o nel caso in cui sia previsto dalla legislazione del suo paese di origine:

PRODOTTO ECOLOGICO E RICICLABILE

- I materiali che costituiscono l'imballaggio di questo apparecchio sono compresi in un sistema di raccolta, classificazione e riciclaggio degli stessi. Per lo smaltimento, utilizzare gli appositi contenitori pubblici, adatti per ogni tipo di materiale.
- Il prodotto non contiene concentrazioni di sostanze considerate dannose per l'ambiente.



- Questo simbolo indica che, per smaltire il prodotto al termine della sua durata utile, occorre depositarlo presso un ente

di smaltimento autorizzato alla raccolta differenziata di rifiuti di apparecchiature elettriche ed elettroniche (RAEE).



- Questo simbolo indica che il prodotto può contenere pile o batterie. Toglietele prima di gettare il prodotto. Le pile/

batterie vanno depositate negli appositi contenitori per la raccolta. E non devono mai essere gettate nel fuoco.

COME RIMUOVERE LE BATTERIE DALL'INTERNO DELL'APPARECCHIO

Avvertenza: È importante che le batterie siano completamente scariche prima di procedere alla loro rimozione.

Avvertenza: per rimuovere le batterie, scollegare l'apparecchio dalla rete di alimentazione.

Per rimuovere le batterie, al termine della sua durata utile, procedere a:
Premere i tasti per estrarre la batteria dalla sua sede. (Fig.11).

Questo apparecchio rispetta la Direttiva 2014/35/EU di Bassa Tensione, la Direttiva 2014/30/EU di Compatibilità Elettromagnetica, la Direttiva 2011/65/EU sui limitid'impiego di determinate sostanze pericolose

negli apparecchi elettrici ed elettronici e la Direttiva 2009/125/EC riguardante l'Ecodesign dei prodotti che consumano energia.

Garanzia e assistenza tecnica

Questo prodotto possiede il riconoscimento e la protezione della garanzia legale di conformità con la legislazione vigente. Per far valere i suoi diritti o interessi, dovrà rivolgersi a uno qualsiasi dei nostri servizi ufficiali di assistenza tecnica. Può trovare il più vicino cliccando sul seguente link:

www.mellerware.com

Può anche richiedere informazioni a tale riguardo mettendosi in contatto con noi tramite il numero di telefono che appare alla fine di questo manuale. Può scaricare questo manuale di istruzioni e i suoi aggiornamenti da www.mellerware.com

Le seguenti informazioni si riferiscono all'etichetta energetica e al disegno ecologico:

Marchio e indirizzo	ENGINEERING AND TECHNOLOGY FOR LIFE, S.L. Av. Barcelona, s/n, 25790 Oliana, Lleida, Spain
Modello	WHOOSHY Wireless Black (ver I)
Tensione di ingresso	100-240 V
Frequenza di ingresso CA	50/60 Hz
Tensione di uscita	26,0VDC
Corrente di uscita	0,45 A
Potenza di uscita	11,7 W
Rendimento medio in modo attivo	85,97% fornito a 230V 50Hz
Rendimento a basso carico (10%)	77,18% fornito a 230V 50Hz
Potenza assorbita nella condizione a vuoto	0,086 W fornito a 230V 50Hz

La base per determinare se i requisiti di progettazione ecocompatibile sono stati soddisfatti e per calcolare i parametri per l'etichettatura dell'efficienza energetica è la norma europea EN 50563.



Durban
35 Adrain Road, Windermere
Durban, South Africa, 4001
Tel.: +27 31 303 3465
Fax: +27 31 303 8259

Johannesburg
Unit 25 & 26 San Croy office Park
Die Agora Road, Croydon, 1619
Tel.: +27 11 329 5652
Fax: +27 11 392 1694

creative housewares

20 Tekstiel St, Parrow. Cape Town. 7493, RSA
P.O. Box 6156 Parrow East, 7501, RSA
Tel.: +27 219318117 / Helpline: 086115006
Tel.: +27 630140457
Fax: +27 219314058
www.creativehousewares.co.za

mellerware®

Engineering Technology For Life, S.L.
Av. Barcelona, S/N
25790, Oliana - Lleida - Spain
www.mellerware.com